

为您的产品保驾护航

PRODUCT DATASHEET


Surface Mount Fuses

JFC1206TS Series Fuse

Description

JFC1206TS Series are the fuses set the industry standard for performance, reliability and quality. The solder - free design provides excellent on - off and temperature cycling characteristics during use and also makes our SMD fuses more heat and shock tolerant than typical subminiature fuses.

Agency Approvals

AGENCY	AGENCY FILE NUMBER
	E486200

Features

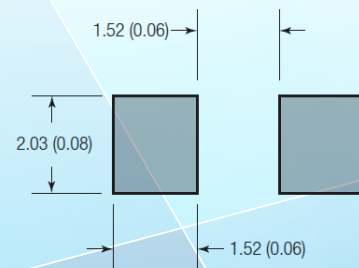
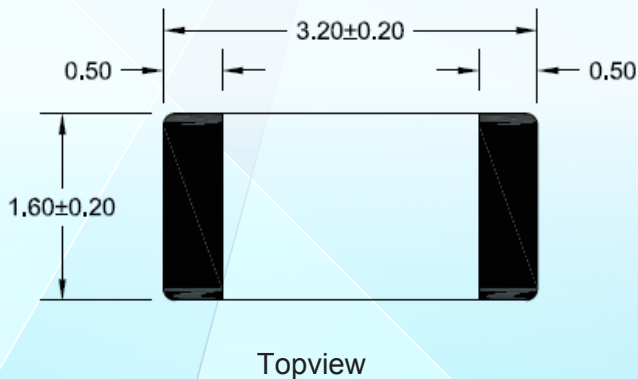
- Compatible with reflow and wave solder
- Ceramic and glass construction
- Excellent environmental integrity
- One time positive disconnect
- Lead Free and Halogen free material

Electrical Characteristics

Rated Current	1.0In	2.0In	2.5In	3.0In	3.5In	10.0In
0.75A~3A	4 hour min.	1sec - 60sec	5sec max.	0.1sec-3sec	-	0.2ms-20ms
3.5A~5A	4 hour min.	-	5scc max.	0.1sec-3sec	-	0.2ms-20ms
6A~30A	4 hour min.	-	-	-	5sec max.	0.2ms-10ms

Dimensions

Drawing not to scale (Unit: mm)



Performance Specification

Part No.	Rated Voltage DC	Rated Current (A)	Breaking Capacity ¹	Typical Cold Resistance (mOhms) ²	Typical Voltage Drop (mV)	Typical Pre-Arching I ² t (A ² Sec) ³	Alpha Marking
JFC1206-0750TS	72V/63V	0.75	50A	850	1150	0.019	0.75
JFC1206-1100TS		1		480	510	0.11	H
JFC1206-1150TS		1.5		230	367	0.17	K
JFC1206-1200TS		2		140	316	0.41	N
JFC1206-1250TS		2.5		80	240	0.68	O
JFC1206-1300TS		3		50	187	1.5	P
JFC1206-1350TS	32V/45V	3.5	50A@32Vdc	38	180	2	R
JFC1206-1400TS		4		34	173	2.5	S
JFC1206-1450TS		4.5		25	164	2.65	X
JFC1206-1500TS	32V/45V	5	50A@32Vdc	21.5	145	4	T
JFC1206-1600TS		6	50A@45Vdc ⁵	16	140	12	F
JFC1206-1700TS	24V/32V	7	300A@24V	12.3	130	14	7
JFC1206-1800TS		8		10	123	16	M
JFC1206-2100TS		10		7	110	22	U
JFC1206-2120TS		12		5	85	11.5	12
JFC1206-2150TS		15		3.5	78	16.5	15
JFC1206-2200TS		20		150A@32V ⁴	3.4	80	50
JFC1206-2250TS	25	1.6	90	60	L		
JFC1206-2300TS	30	1.3	90	100	Z		

* DC Interrupting Rating (Measured at rated voltage, time constant of less than 50 microseconds, battery source)

* DC Cold Resistance are measured at <10% of rated current in ambient temperature of 25 C

* Typical Pre - arcing I²t are measured at 10In Current

Part Numbering System
JF C 1206 - xxxx T S

S=SMD

T=Time-Lag, F=Fast Acting

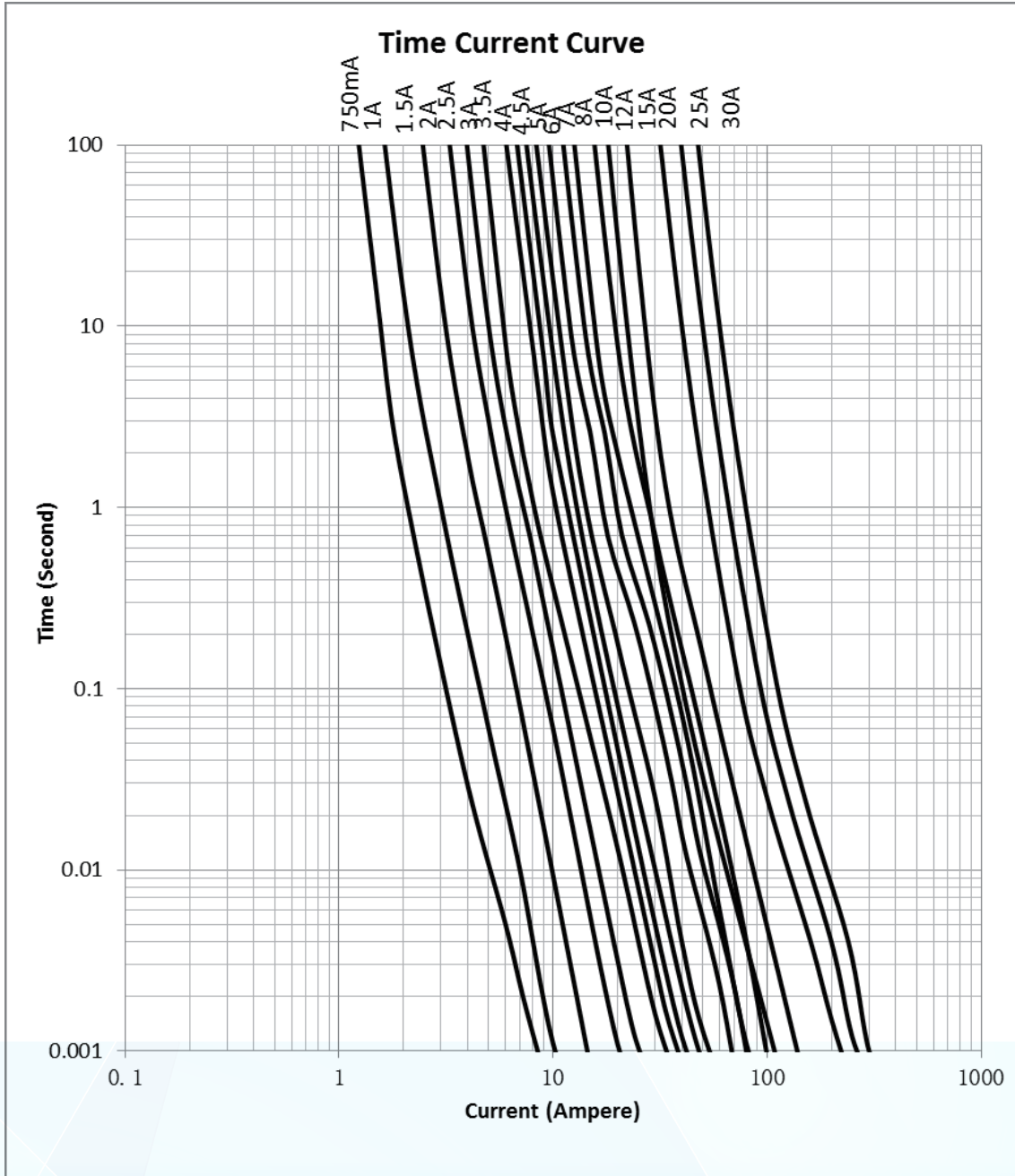
xxxx=四位电流

xxxx=1206

C=Ceramic, T=Thin Film, H=High Temperature Ceramic Series

JF=JDT Fuse

Time Current Curve



Soldering method

- Wave solder
 1. Reservoir temperature: 260 °C ; 2. Time in reservoir: 10 seconds maximum
- Infrared reflow
 1. Temperature: 260 °C ; 2. Time: 30 seconds maximum